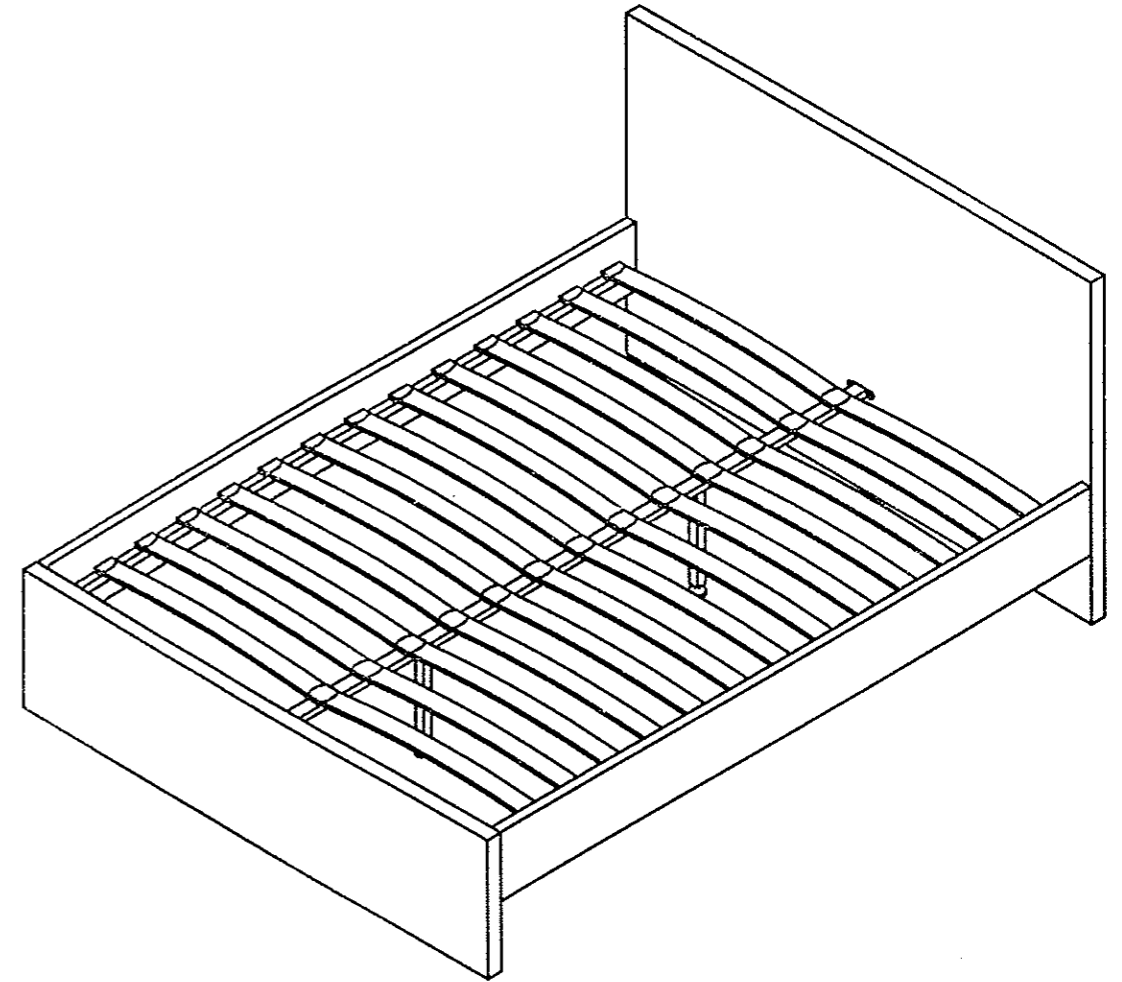


Assembly Instructions

VOGUE BED

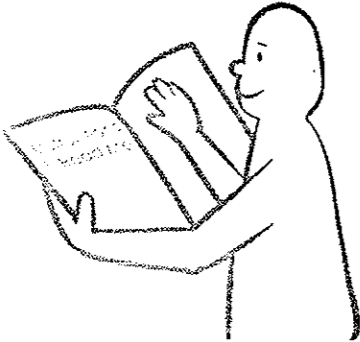
VOUBEDQNNOOOMDFWHI



STOP!

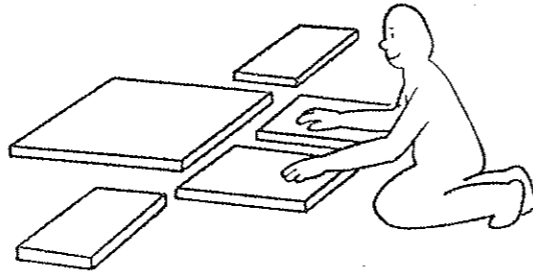
Before you start...

1



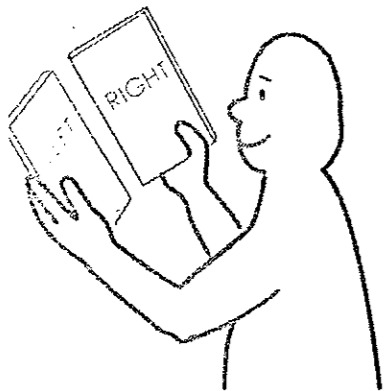
Read Instructions carefully.

2

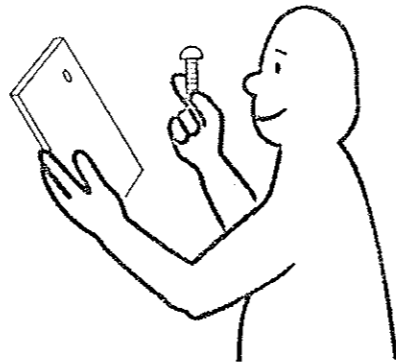


Lay out all of the components on a soft surface as if you were preparing to do a jigsaw puzzle.

3

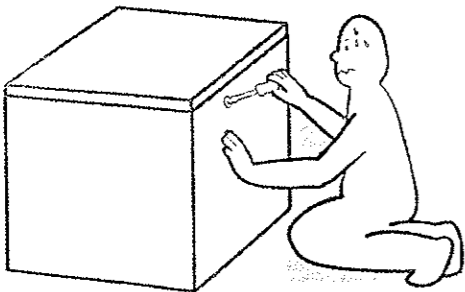


Carefully identify each component, especially those that are similar. The most common mistake is getting things back to front.



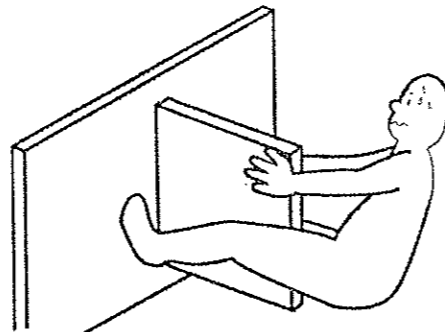
Separate and identify each component from the hardware pack and rest each one in its proper location before fastening.

5



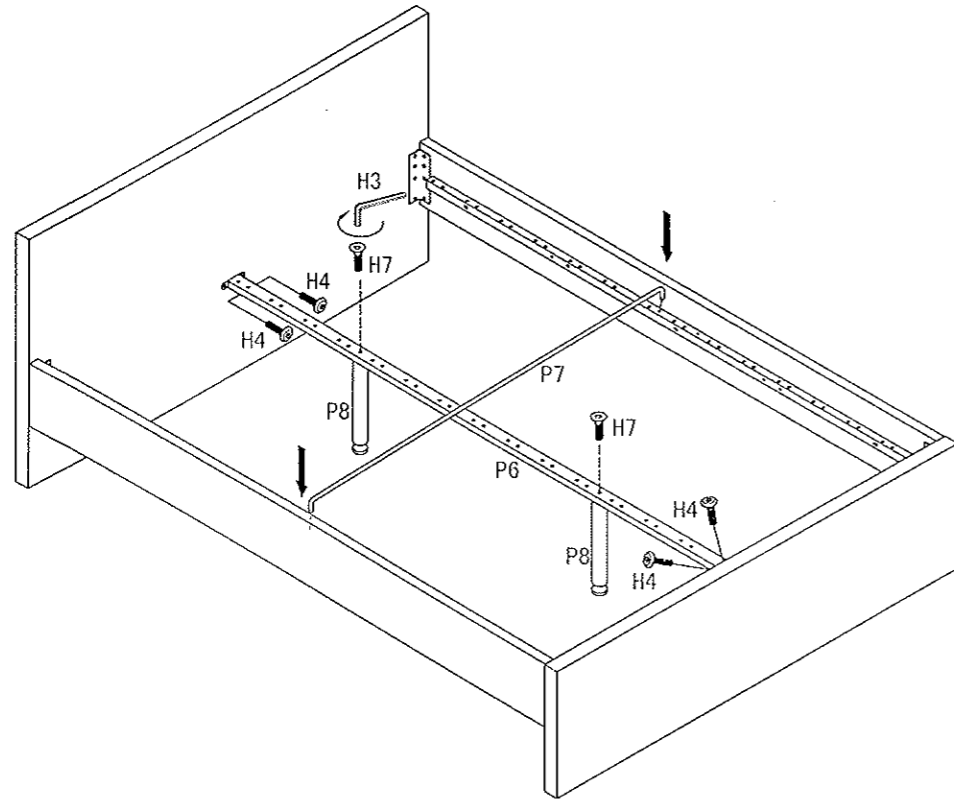
DO NOT over-tighten screws

6



DO NOT set glue until you are certain that the parts belong together.

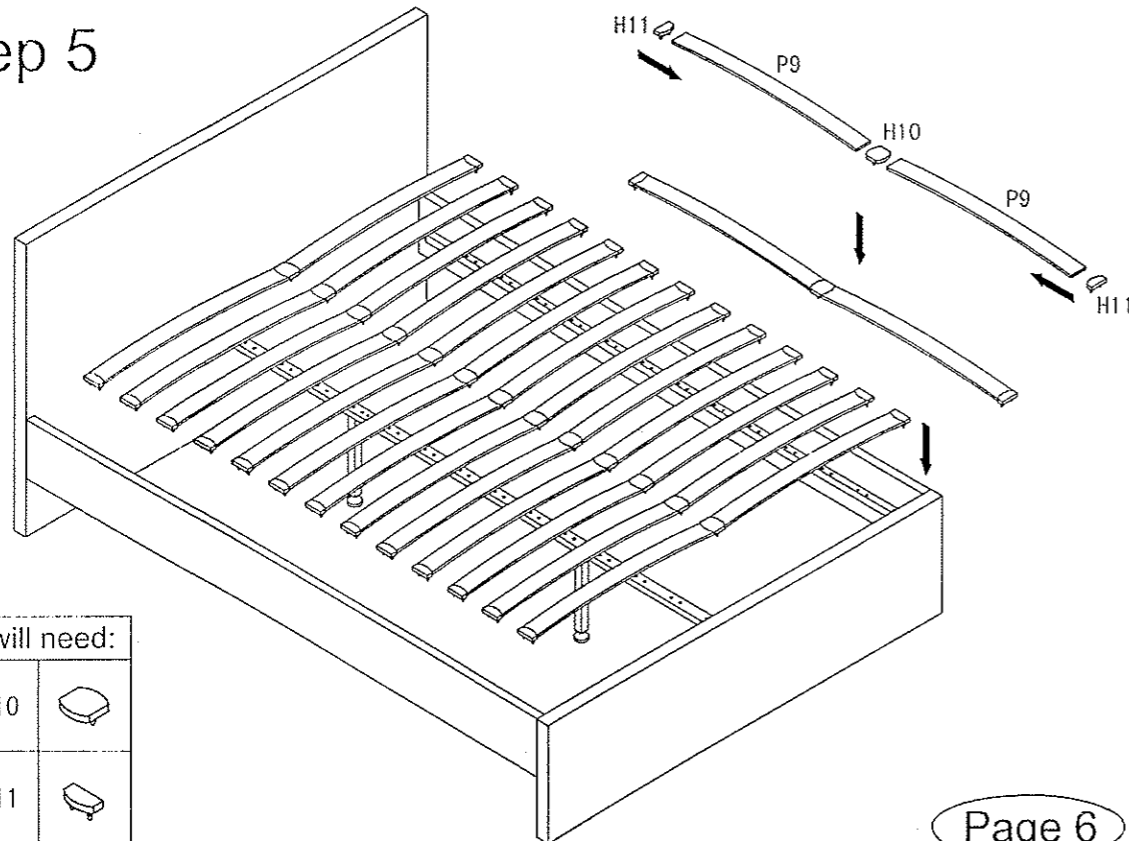
Step 4



You will need:

1xH3	
4xH4	
2xH7	

Step 5

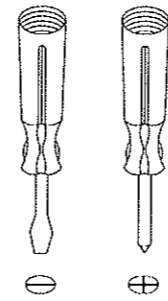


You will need:

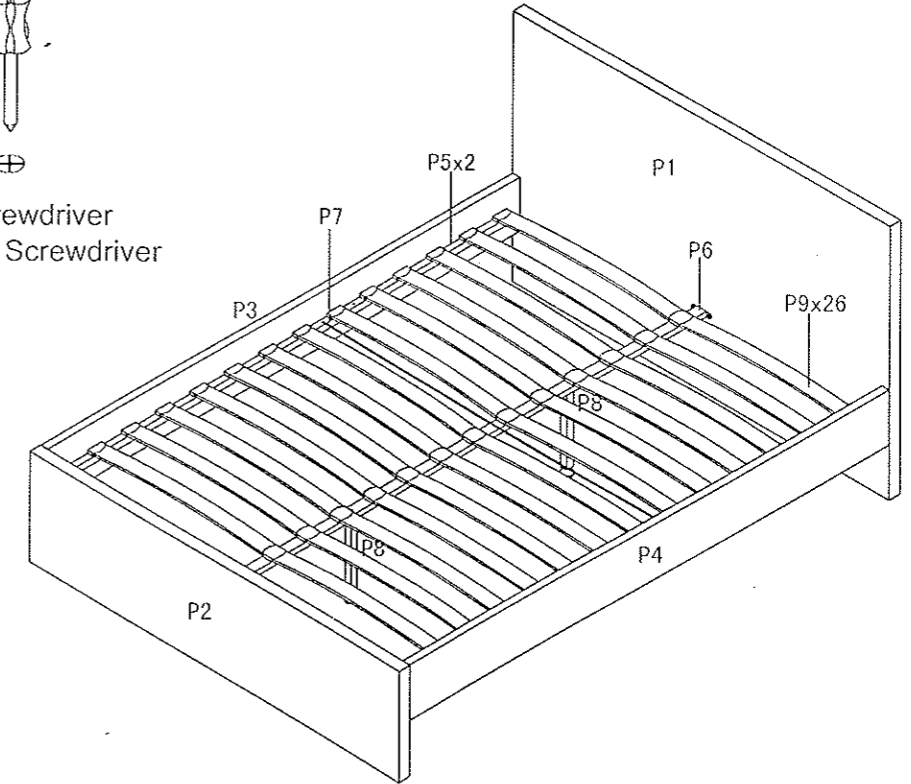
13xH10	
26xH11	

What you Need

To Assemble the Body



Flat Blade Screwdriver
Phillips Head Screwdriver
Mallet

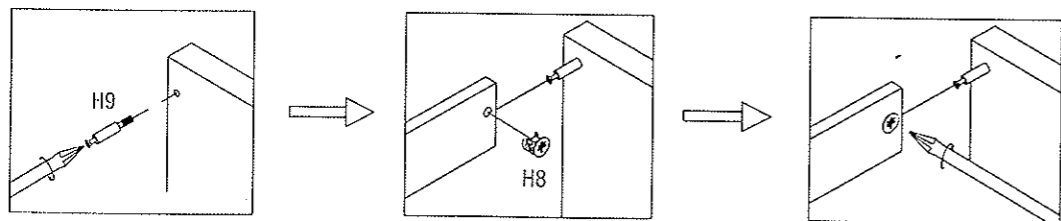
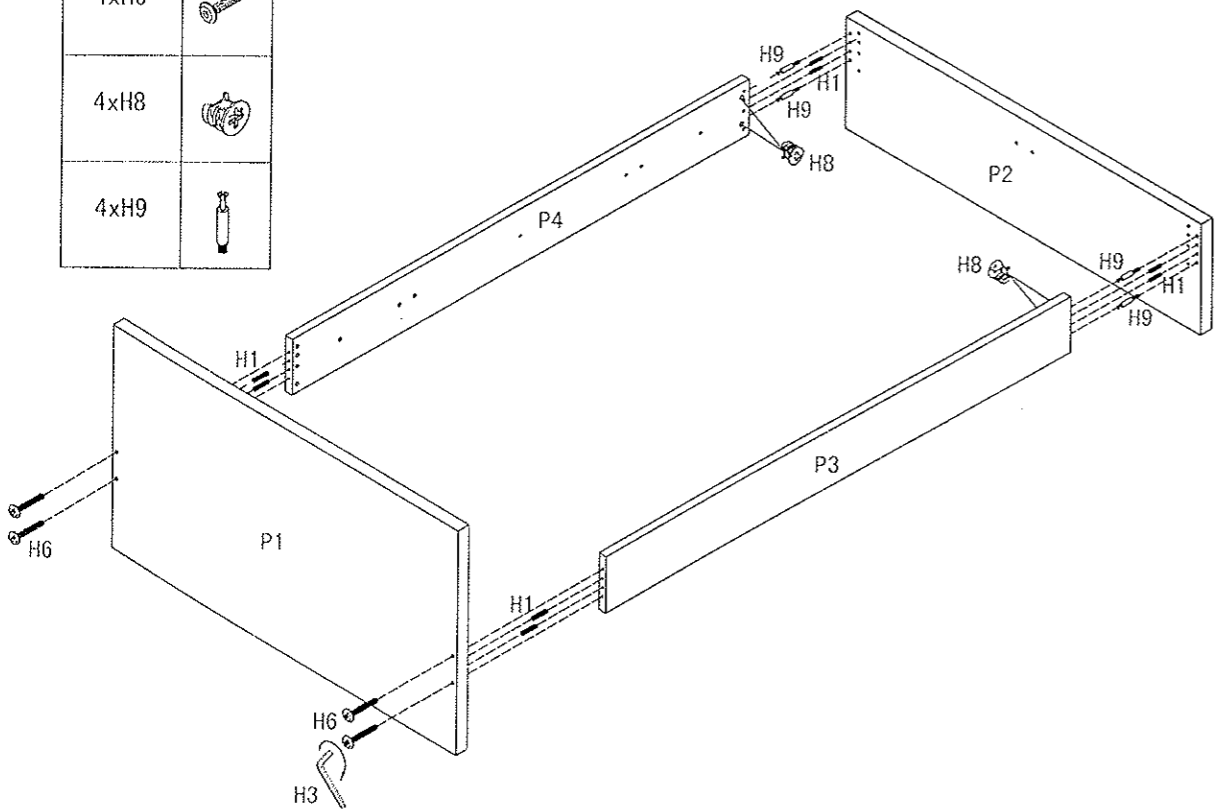


H1 8PCS	H2 4PCS	H3 1PC	H4 36PCS	H5 14PCS	H6 4PCS
H7 2PCS	H8 4PCS	H9 4PCS	H10 13PCS	H11 26PCS	

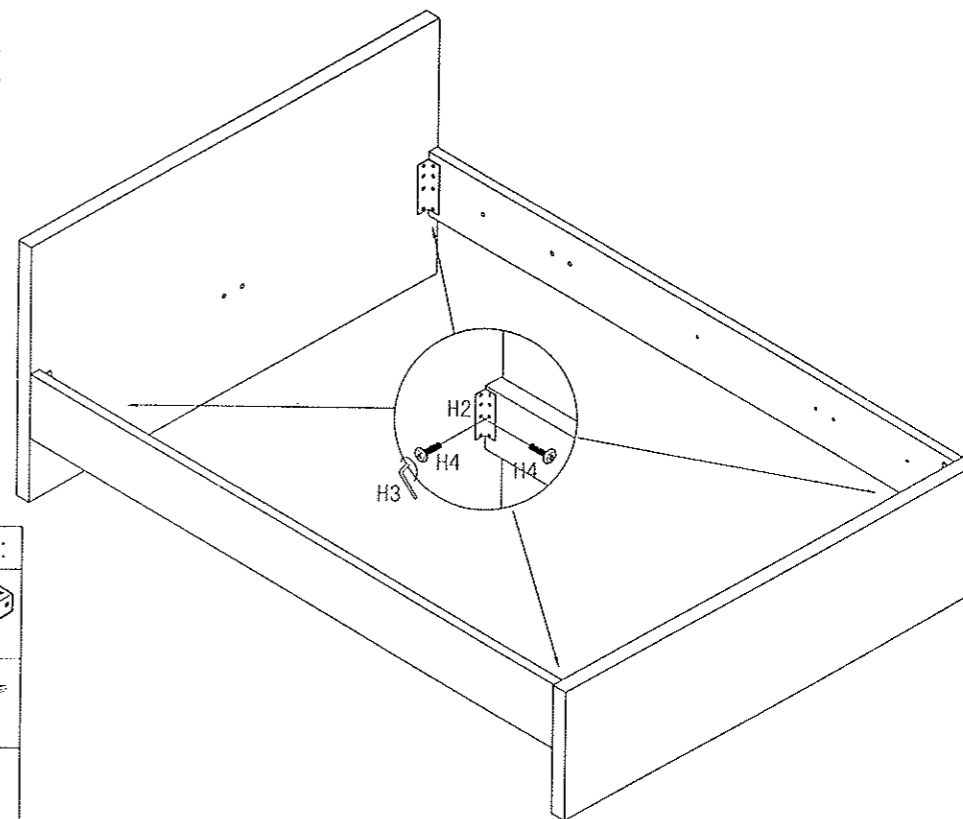
Step 1

You will need:

8xH1		
1xH3		
4xH6		
4xH8		
4xH9		



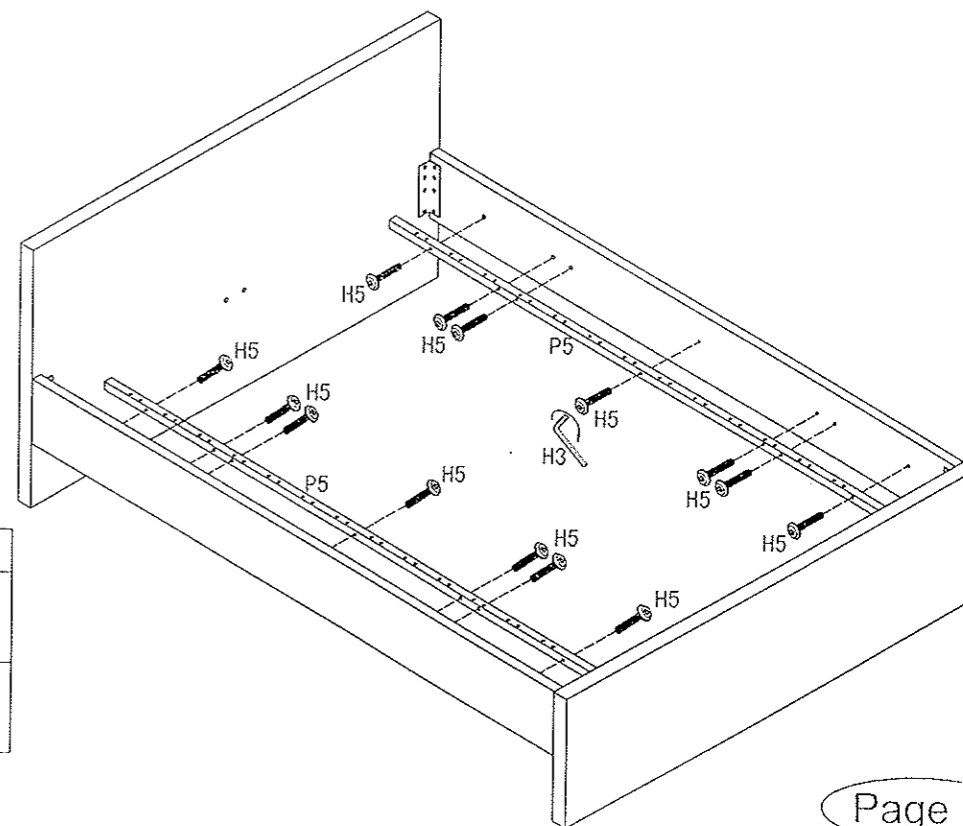
Step 2



You will need:

4xH2	
1xH3	
32xH4	

Step 3



You will need:

1xH3	
14xH5	